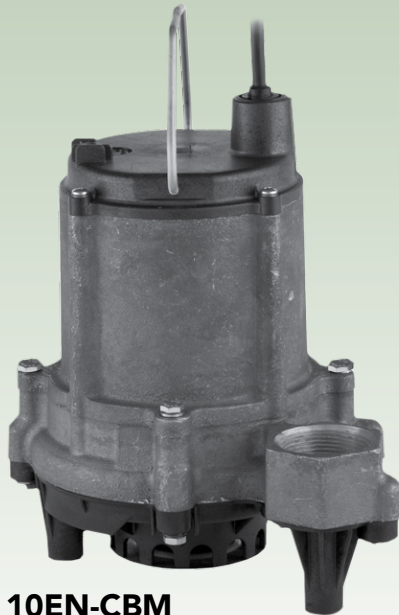


Wastewater

10EN-CBM and 10EN-CBA Series



10EN-CBA-SFS



10EN-CBM



Applications

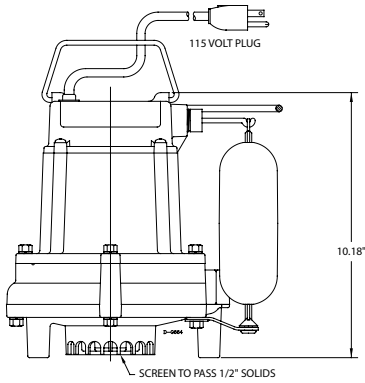
- Little Giant 10EN-CBM and 10EN-CBA Series Sump/Effluent Pumps are rated for continuous duty use in dewatering and light effluent applications

Features

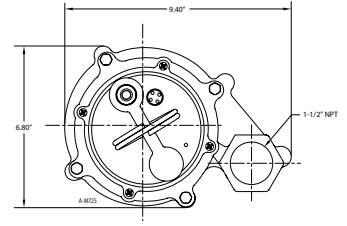
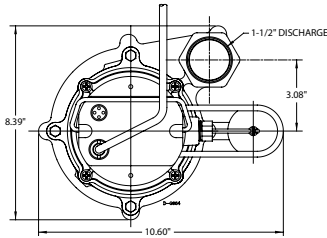
- 1/2 hp PSC motor with thermal overload protection
 - Energy saving low amp draw
 - Cooler running motor which extends the life of the pump
- Cast bronze housing with polypropylene base
- Brass screws, stainless steel bolts and handle
- Mechanical seals (stainless steel spring, nitrile parts, carbon and ceramic faces)
- Upper and lower sintered sleeve bearings
- 1-1/2" FNPT discharge
- Handles liquid and solid waste materials up to 1/2" diameter
- Available in manual or automatic operation:
 - Integral snap action float switch
 - On Level 7" - 10"
 - Off Level 2" - 5"
- Two year warranty
- Fully submersible

LittleGIANT®

Engineering Data



10EN-CBA-SFS



10EN-CBM

Specifications

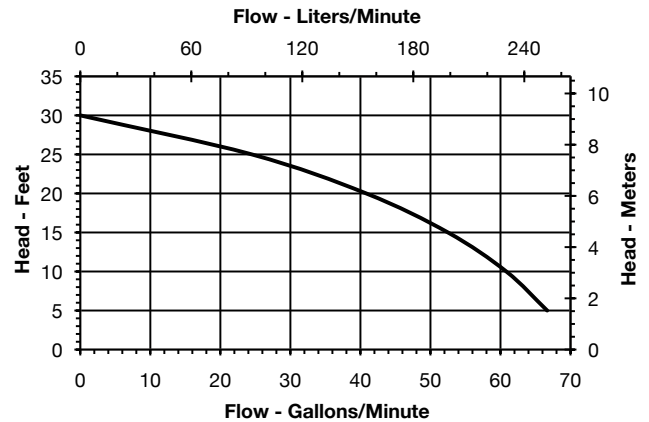
Item No.	Model No.	HP	Volts	Solids Size (dia. in)	Running Amps/Watts	Performance (GPM @ Head)				Shutoff		Cord Length (ft)	Weight (lbs)	Dimension H x L x W (in)
						5'	10'	15'	20'	Ft.	PSI			
511341	10EN-CBM	1/2	115	1/2"	8/850	67	61	50	40	30	13	10	27	10.18 x 10.60 x 8.39
511342	10EN-CBA-SFS	1/2	115	1/2"	8/850	67	61	50	40	30	13	10	28	10.18 x 10.60 x 8.39
511343	10EN-CBA-SFS	1/2	115	1/2"	8/850	67	61	50	40	30	13	20	28	10.18 x 10.60 x 8.39

SFS - Snap Action Float Switch

Construction

Cover	Polycarbonate
Motor Housing	Cast bronze
Impeller Material	Nylon
Volute	Cast bronze/polypropylene
Power Cord	SJTW
Mechanical Shaft Seal	Nitrile with carbon and ceramic faces
Fasteners	Brass, stainless steel
Shaft	Cold rolled steel
Bearings	Upper and lower sintered sleeve bearings

Performance Data



P.O. Box 12010
Oklahoma City, OK 73157-2010
Phone: 1.800.701.7894
Fax: 1.800.678.7867
www.LittleGiantPump.com

